

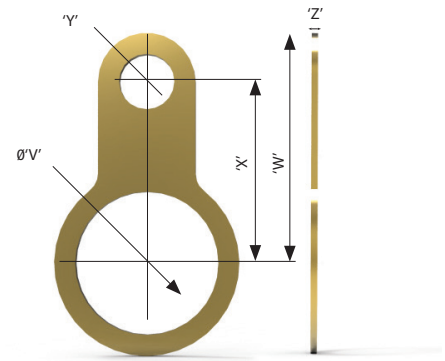


# EARTH TAGS

Brass or Stainless Steel

## General Information

- Provides an earth bond attachment for a cable gland.
- Manufactured in Brass as standard.
- Stainless Steel earthtags are available, but the dimensions may differ slightly to those stated in the selection table. Please contact Hawke Sales Team for details.
- The earthtags shape may vary for different sizes.



## Selection Table

Gland Size 'V'		'Y'	'W'	'X'	'Z'
Metric	NPT				
M20	1/2"	6.75	39.6	33.1	1.5
M25	3/4"	6.85	45.5	36.5	1.5
M32	-	12.6	52	40.9	1.5
M40	1 1/4"	13.4	59.6	44.2	1.5
M50	-	13.5	78.9	58.1	1.5
M63	2"	13.5	87.6	66.8	1.5
M75	2 1/2"	13.5	93.7	72.9	1.5
M80	-	14	128	104	1.5
M90	-	14	128	104	1.5
M100	-	14	128	104	2
M110	-	13.5	136	115	2
M115	-	13.5	141	120	2
M120	-	13.5	143.5	122.5	2
M130	-	13.5	153	128	2

Note: All dimensions are in millimetres. Other sizes may be available on request. Please contact Hawke for more details.

## Ordering Example:

Product	Thread Size	Material	Finish
Earthtag	M25	Brass	N/A

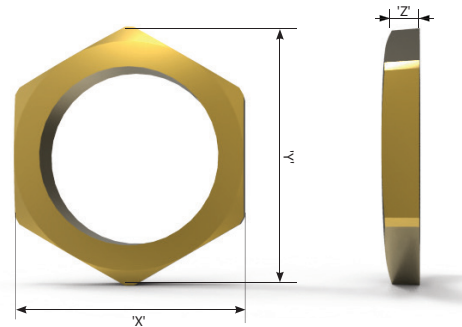


# LOCKNUTS

Brass or Stainless Steel

## General Information

- For use on cable gland entry threads.
- Manufactured in Brass as standard.
- Stainless Steel locknuts are also available, but dimensions may differ from the ones in the table.
- Locknuts for PG thread sizes are available.



## Selection Table

Gland Size	Across Flats 'X'	Across Corners 'Y'	'Z'	NPT * Gland Size	Across Flats 'X'	Across Corners 'Y'	'Z'
M16	22	24	3.7/4.7	-	-	-	-
M20	24	26.4	3.7/4.7	1/2"	27	29.7	3.0/4.0
M25	30	33.3	3.7/4.7	3/4"	30.5	33.5	3.7/4.7
M32	40	44	3.7/4.7	1"	36	39.5	6.0/7.0
M40	46	50.5	4.5/5.5	1 1/4"	46	50.5	6.0/7.0
M50	65	71.5	4.5/5.5	1 1/2"	55	60.6	6.0/7.0
M63	80	88	6.0/7.0	2"	65	70.8	6.0/7.0
M75	90	99	6.5/7.5	2 1/2"	80	90	6.0/7.0
M80	107	122.2	9.5/10.5	3"	95	107	6.0/7.0
M90	107	122.2	9.5/10.5	3 1/2"	128	143	8.5/9.5
M100	128	147	9.5/10.5	4"	128	143	8.5/9.5
M110	128	147	9.5/10.5	5"	170	187	9.5/10.5
M115	128	147	9.5/10.5	6"	200	220	9.5/10.5
M120	140	152	9.5/10.5	---	---	---	---
M130	150	165	9.5/10.5	---	---	---	---

Note: All dimensions are in millimetres except where \* denotes dimensions in inches.

## Ordering Example:

Product	Thread Size	Material	Product	Thread Size	Material
Locknut	M25	Brass	Locknut	1" NPT	Brass