



## LANTERNS RANGE LIGHTING SOLUTIONS



SECURITY LIGHTING & LANTERNS

[asdlighting.com](http://asdlighting.com)  
[sales@asdlighting.com](mailto:sales@asdlighting.com)

Designed, Developed  
and Manufactured  
in the UK



# CONTENTS

## Lanterns Range

Half Lantern .....	3
Globe Lantern .....	4
Coach Lantern .....	5
Grande Lantern .....	6
Square Lantern .....	7



ASD Lighting, formed in 1983, have been manufacturing in the UK from our 200,000-sq ft factory in Rotherham for over 30 years.

Our knowledge and expertise has lead us to undertake lighting projects for the security lighting industry. You can be sure ASD provide the highest quality, with minimal maintenance and energy savings.

# HALF LANTERN

IP44

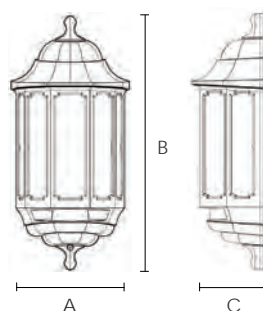
A traditional wall mounted half lantern.

Classic design Half Lantern in vandal and weather resistant polycarbonate.

The lantern is designed to be fitted near to doorways to optimise illumination for entrance areas, with this location in mind the PIR operates at 6 metres to reduce the number of nuisance activations.

The Half Lantern range is available with energy saving lamps or LED versions.

- Easy to install.
- IP44.
- Choice of standard, photocell and PIR options.
- PIR: Day time walk test.
- Shatter-proof polycarbonate detector.
- PIR range of 6 metres.
- 110° angle of detection.
- Photocell: dusk to dawn sensor.
- Designed to BS EN 60598.



Size	Half Lantern
A	182mm
B	394mm
C	118mm

## Codes

Half Lantern	60W	9W HF	13W HF	18W HF
Black	HL/BK060	HL/BK009E	HL/BK113E	HL/BK118E
White	HL/WK060	HL/WK009E	HL/WK113E	HL/WK118E
Titanium	HL/XK060	HL/XK009E	HL/XK113E	HL/XK118E

Half Lantern PIR	60W PIR	9W HF PIR	13W HF PIR	18W HF PIR
Black	HL/BK060P	HL/BK009EP	HL/BK113EP	HL/BK118EP
White	HL/WK060P	HL/WK009EP	HL/WK113EP	HL/WK118EP
Titanium	HL/XK060P	HL/XK009EP	HL/XK113EP	HL/XK118EP

Half Lantern Photocell	60W PC	9W HF PC	13W HF PC	18W HF PC
Black	HL/BK060C	HL/BK009EC	HL/BK113EC	HL/BK118EC
White	HL/WK060C	HL/WK009EC	HL/WK113EC	HL/WK118EC
Titanium	HL/XK060C	HL/XK009EC	HL/XK113EC	HL/XK118EC

# GLOBE LANTERN

IP44

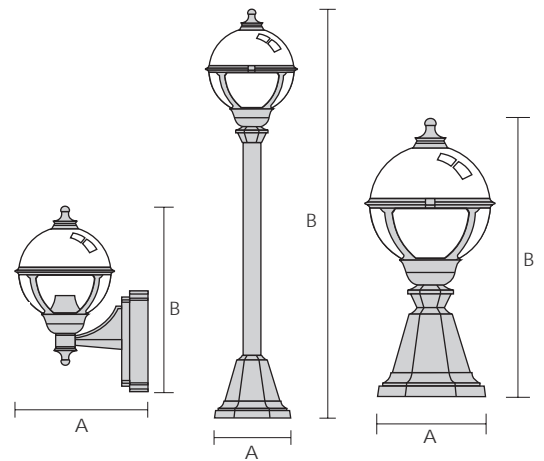
A traditional style globe lantern.

Ornate design with classical globe diffuser, finished in either smoke or opal polycarbonate, which is vandal and weather resistant. The lantern design optimises light distribution, the globe lantern diffuser hinges for easy access.

The wall mounted units benefit from the versatile QUICK FIT system, the unique fast fit electrical connection eases installation and helps prevent the end user installing the product incorrectly. The Globe Lantern is available with a variety of lamp options.



- Easy to install.
- IP44.
- Choice of standard, photocell and PIR options.
- PIR: Day time walk test.
- Shatter-proof Polycarbonate detector.
- PIR Range of 6 Metres.
- 110° Angle of detection.
- Photocell: Dusk to dawn sensor.
- Switches on at dusk and off at dawn.
- Designed to BS EN 60598.
- Opal or smoke globe.



Size	Globe	Mini Column	Patio
A	280mm	170mm	170mm
B	350mm	844.5mm	465mm

## Codes

Globe Lantern	B22 GLS	B22 GLS PIR	B22 GLS PC	9W	9W PC	13W HF
Black / Opal	GL/BL100	GL/BL100P	GL/BL100C	GL/BL009	GL/BL009C	GL/BL113E
White / Opal	GL/WL100	GL/WL100P	GL/WL100C	GL/WL009	GL/WL009C	GL/WL113E
Black / Smoke	GL/BS100	GL/BS100P	GL/BS100C	GL/BS009	GL/BS009C	GL/BS113E
White / Smoke	GL/WS100	GL/WS100P	GL/WS100C	GL/WS009	GL/WS009C	GL/WS113E

	13W HF PC	18W HF	18W HF PC	PATIO B22 GLS	MINI COLUMN B22 GLS
Black / Opal	GL/BL113EC	GL/BL118E	GL/BL118EC	PG/BL100	MG/BL100
White / Opal	GL/WL113EC	GL/WL118E	GL/WL118EC	PG/WL100	MG/WL100
Black / Smoke	GL/BS113EC	GL/BS118E	GL/BS118EC	PG/BS100	MG/BS100
White / Smoke	GL/WS113EC	GL/WS118E	GL/WS118EC	PG/WS100	MG/WS100

# COACH LANTERN

IP44

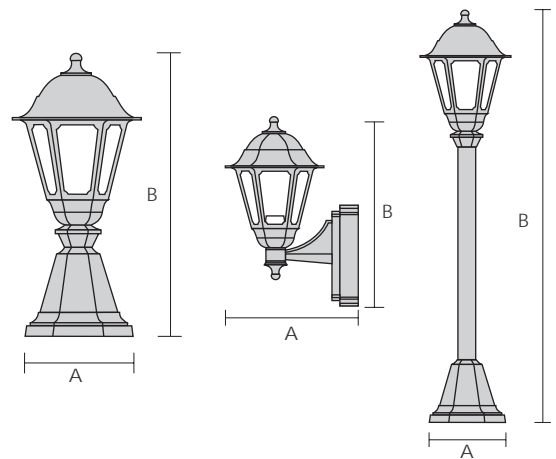
A traditional and elegant lantern design.

The Coach lantern is manufactured in vandal resistant polycarbonate with all the anti weathering benefits over die cast aluminium.

The wall mounted units benefit from the versatile QUICK FIT system, the unique fast fit electrical connection eases installation and helps prevent the end user installing the product incorrectly. The lantern range is available with a variety of lamp options.



- Easy to install.
- IP44.
- Choice of standard, photocell and PIR options.
- PIR: Day time walk test.
- Shatter-proof Polycarbonate detector.
- PIR Range of 6 Metres.
- 110° Angle of detection.
- Photocell: Dusk to dawn sensor.
- Switches on at dusk and off at dawn.
- Designed to BS EN 60598.
- Optional corner bracket.



Size	Patio	Coach	Mini Column
A	170mm	273mm	170mm
B	480mm	417mm	859.5mm

## Codes

Coach Lantern	B22 GLS	B22 GLS PIR	B22 GLS PC	9W	9W PC	13W HF
Black	CL/BK100	CL/BK100P	CL/BK100C	CL/BK009	CL/BK009C	CL/BK113E
White	CL/WK100	CL/WK100P	CL/WK100C	CL/WK009	CL/WK009C	CL/WK113E

	13W HF PC	18W HF	18W HF PC	PATIO B22 GLS	MINI COLUMN B22 GLS
Black	CL/BK113EC	CL/BK118E	CL/BK118EC	CP/BK100	MC/BK100
White	CL/WK113EC	CL/WK118E	CL/WK118EC	CP/WK100	MC/WK100

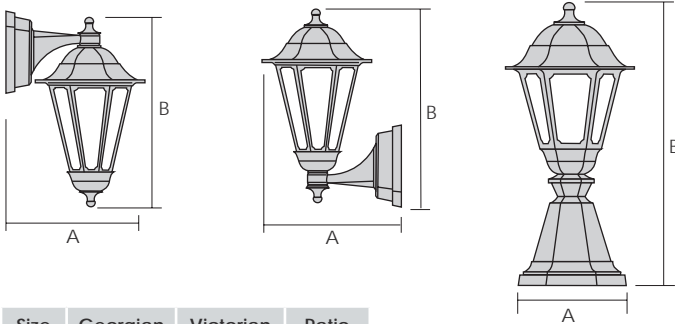
# GRANDE LANTERN

IP44

## A grande domestic lantern.

The Grande Lantern offers 150W GLS, LED and a comprehensive range of low energy Compact Fluorescent lamp variants, allowing compliance with L1 building requirements for the provision of energy saving lighting. Elegantly designed with rustic mounting arm and bevelled polycarbonate lens the range is not only attractive but extremely robust. The vandal resistant polycarbonate casing is available in black or white; the UV stable "colour fast" polycarbonate won't suffer from chipping or paint peel.

- Easy to install.
- IP44.
- Anti-Vandal polycarbonate.
- Choice of photocell options.
- Designed to BS EN 60598.



Size	Georgian	Victorian	Patio
A	325mm	325mm	170mm
B	437mm	437mm	536mm



Grande Georgian



Grande Victorian



Grande Patio

### Codes

Grande Georgian Lantern	150W	18W HF	26W HF	32W HF	150W + PC	18W HF + PC	26W HF + PC	32W HF + PC
Black	GCD/BK150	GCD/BK118E	GCD/BK126E	GCD/BK132E	GCD/BK150C	GCD/BK118EC	GCD/BK126EC	GCD/BK132EC
White	GCD/WK150	GCD/WK118E	GCD/WK126E	GCD/WK132E	GCD/WK150C	GCD/WK118EC	GCD/WK126EC	GCD/WK132EC

Grande Victorian Lantern	150W	18W HF	26W HF	32W HF	150W + PC	18W HF + PC	26W HF + PC	32W HF + PC	Grande Patio Lantern	150W
Black	GCU/BK150	GCU/BK118E	GCU/BK126E	GCU/BK132E	GCU/BK150C	GCU/BK118EC	GCU/BK126EC	GCU/BK132EC	Black	GCP/BK150
White	GCU/WK150	GCU/WK118E	GCU/WK126E	GCU/WK132E	GCU/WK150C	GCU/WK118EC	GCU/WK126EC	GCU/WK132EC	White	GCP/WK150

# SQUARE LANTERN

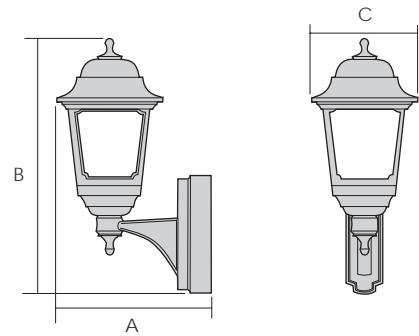
## IP44

A traditional square lantern.

Providing convenience, security and courtesy lighting solutions in a range of attractive, easy to install, practical and hardwearing luminaires. The range meets the demands of domestic and commercial installations with robust casing and extremely effective, flexible and reliable PIR and photocell options for convenience and security.



- Easy to install.
- IP44.
- Available with driver on board LED.
- Choice of standard, photocell and PIR options.
- PIR: Day time walk test.
- Shatter-proof Polycarbonate detector.
- PIR Range of 6 Metres.
- 110° Angle of detection.
- Photocell: Dusk to dawn sensor.
- Designed to BS EN 60598.
- Optional corner bracket.



Size	
A	267mm
B	438mm
C	185mm

### Codes

Square Lantern	B22 GLS	9W HF	13W HF	18W HF
Black	CL4/BK100	CL4/BK009E	CL4/BK113E	CL4/BK118E
White	CL4/WK100	CL4/WK009E	CL4/WK113E	CL4/WK118E

Square Lantern PIR	B22 GLS PIR	9W HF PIR	13W HF PIR	18W HF PIR
Black	CL4/BK100P	CL4/BK009EP	CL4/BK113EP	CL4/BK118EP
White	CL4/WK100P	CL4/WK009EP	CL4/WK113EP	CL4/WK118EP

Square Lantern Photocell	B22 GLS PC	9W HF PC	13W HF PC	18W HF PC
Black	CL4/BK100C	CL4/BK009EC	CL4/BK113EC	CL4/BK118EC
White	CL4/WK100C	CL4/WK009EC	CL4/WK113EC	CL4/WK118EC

At ASD we have combined our skill and expertise in the design and manufacture of lighting to provide a unique portfolio of products which are not only attractive and hard wearing, but include practical and time saving installation features.

Our unique approach to lighting design has led us to develop products to provide practical solutions to a wide variety of internal and external applications, both commercial and domestic. ASD has developed a service to ensure that we work in partnership with our customers, to build a relationship that can be trusted and relied upon.

We offer a unique product range with innovative features, with the best quality at the right price to ensure customer satisfaction, providing products Brighter by Design.



LIGHTING

Mangham Road, Barbot Hall Industrial Estate,  
Rotherham, S61 4RJ, United Kingdom

T: +44 (0) 1709 374898 E: [sales@asdlighting.com](mailto:sales@asdlighting.com)

F: +44 (0) 1709 830533 W: [asdlighting.com](http://asdlighting.com)

