

ECO SLIMLINE FLOODLIGHT

Product Features

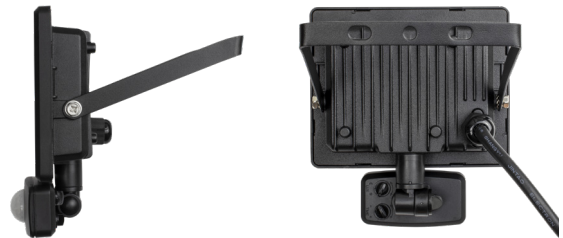
- Domestic floodlight suitable for residential applications
- Die cast aluminium housing
- Supplied with fixing bracket
- Pre-wired 1m HO5RN-F cable
- Option of PIR with adjustable settings
- Also available in White, please contact Luceco for further information



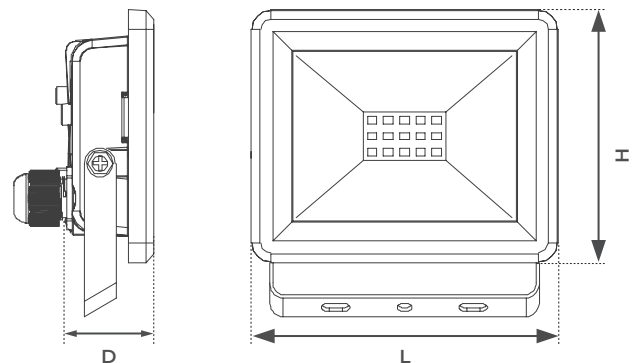
CAT NO.	TYPE	LUMINAIRE LUMENS	WATTAGE
EFLD10B40	Non-PIR	800	10W
EFLD20B40	Non-PIR	1600	20W
EFLD30B40	Non-PIR	2400	30W
EFLD50B40	Non-PIR	4000	50W
EFLD10B40P	PIR	800	10W
EFLD20B40P	PIR	1600	20W
EFLD30B40P	PIR	2400	30W
EFLD50B40P	PIR	4000	50W </td

Product Dimensions

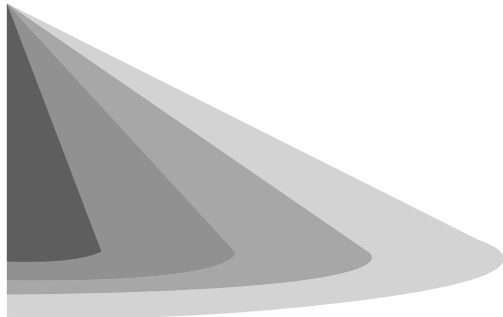
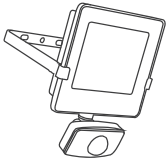
CAT NO.	LENGTH (mm)	DEPTH (mm)	HEIGHT (mm)
EFLD10B40	114	52	114
EFLD20B40	129	54	121
EFLD30B40	144	53	132
EFLD50B40	184	52	165
EFLD10B40P	114	71	166
EFLD20B40P	129	72	175
EFLD30B40P	144	71	190
EFLD50B40P	184	70	224



Product Drawing

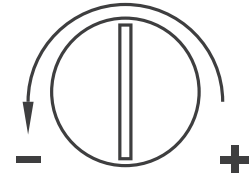


PIR Function

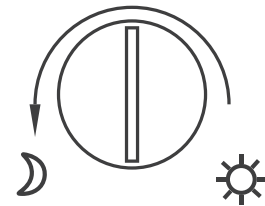


1-8 metres

TIME
10 sec-8 min



LUX
10-2000 LUX



CAT NO.	WEIGHT (g)	EFFICACY (Lm/W)	CRI	FREQUENCY (Hz)	IK RATING	TEMP RANGE	AMBIENT TEMP RATED LIFE (°C)	L/B RATED LIFE
EFLD10B40	275	80	≥80	50	IK06	-20 to +45	25	70/50
EFLD20B40	325	80	≥80	50	IK06	-20 to +45	25	70/50
EFLD30B40	398	80	≥80	50	IK06	-20 to +45	25	70/50
EFLD50B40	648	80	≥80	50	IK06	-20 to +45	25	70/50
EFLD10B40P	339	80	≥80	50	IK06	-20 to +45	25	70/50
EFLD20B40P	393	80	≥80	50	IK06	-20 to +45	25	70/50
EFLD30B40P	477	80	≥80	50	IK06	-20 to +45	25	70/50
EFLD50B40P	741	80	≥80	50	IK06	-20 to +45	25	70/50

STANDARD	DESCRIPTION
60598-1	Luminaires - General requirements
60598-2-5	Luminaires - Floodlights
61000-3-2	Electromagnetic compatibility (EMC) - Part 3-2: Limits - for harmonic current emissions
61000-3-3	Lamp controlgear - Part 1: General and safety requirements
61547	Equipment for general lighting purposes - EMC immunity requirements
55015	Limits and methods of measurement of radio disturbance characteristics of electrical lighting and similar equipment

LUCECO

This luminaire contains built-in LED lamps.

A++
A+
A
C
D
E

} LED

The lamps cannot be changed in the luminaire.

874/2012

