



KPNL30BL1

Alden, 30W Backlit LED Panel, 600x600



Product Overview

The Kosnic Alden LED panel offers direct backlit lighting with wide-angle optics to achieve even light distribution across the surface of the luminaire and is an easy-to-retrofit replacement for in-lay ceiling tile fittings. The panels are supplied with flicker-free drivers as standard and suitable for visually demanding non-transient task areas such as offices and educational premises where users require high quality lighting to maintain well-being.

Features

Save up to 50% energy usage compared to traditional fluorescent fittings

UGR <19 according to BS EN 12464

Class III panel supplied with class II flicker-free driver as standard

Polystyrene TP(a) rated diffuser

Compatible with the Kosnic emergency modules

DALI, 1-10V and PUSH alternative driver available

Optional suspension kit available

IP44 when ceiling recess mounted

High lumen output

Long life of 40,000h

Instant start

Negligible UV output

Emergency Module Compatible

The LED panel is compatible with the Kosnic emergency modules, which provide power in the event of a cut in the supply and must be wired to the un-switched supply through the un-switched Live terminal. The battery will supply the panel for over 3 hours at a reduced output.

Unit D2 Kennetside, Bone Lane

Newbury, Berkshire

T: 01635 523 713 E: sales@kosnic.com W: <http://www.kosnic.com>

Specifications

KPNL30BL1-W40	
Shape / Type	Panel
Colour Finish	White
Power (W)	30
Input Current (mA)	137
Input Voltage	220-240Vac 50-60Hz
Luminous Flux	3200
CCT Temperature (k)	4000
CCT Name	Cool White
Switch Cycles	50,000
Beam Angle (°)	120
CRI	83
Dimmable	DALI, 1-10V and PUSH dimmable alternative driver available
Retrofit	Yes
Power Factor	0.95
IP Rating	IP20 rear/ IP44 front
Class Protection	Class II driver, Class III panel
Start Time (s)	0.49
Length (mm)	595
Width (mm)	595
Depth (mm)	36
LMF at Lifetime	0.75
Ambient Temperature (°C)	-20 to 40

Unit D2 Kennetside, Bone Lane
Newbury, Berkshire

T: 01635 523 713 E: sales@kosnic.com W: <http://www.kosnic.com>

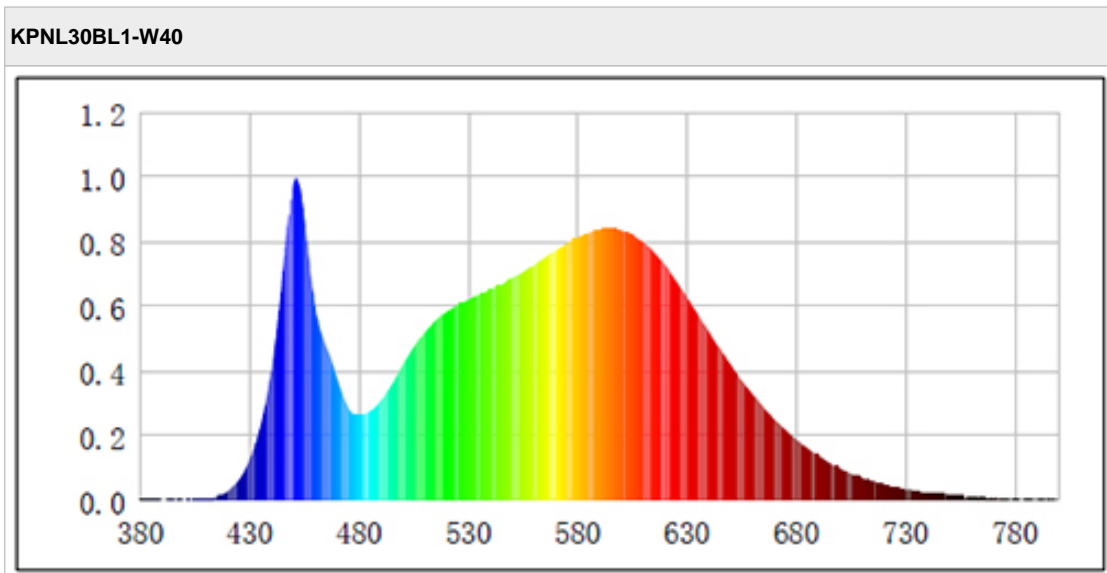
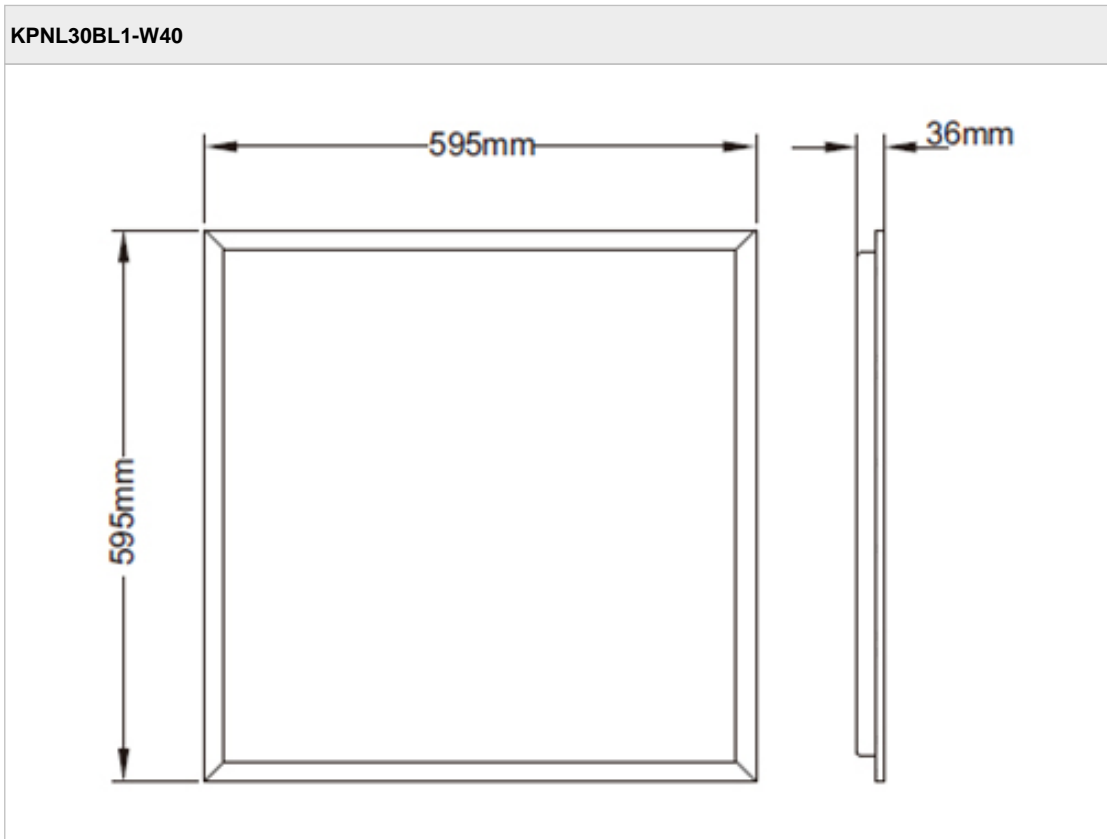
Compatible Emergency CEW03LIL(N/S)

Module

Emergency Luminous 500

Flux (lm)

Lifetime (h) 40,000



KPNL30BL1-W40

This luminaire contains built-in LED lamps.

The lamps cannot be changed in the luminaire.

Kosnic (Product Code)

874/2012

The label features a vertical energy scale from A++ (green) to E (red). A blue bracket on the right side of the scale groups the A++, A+, and A levels, with the letters 'L', 'E', and 'D' stacked vertically next to it. A large red 'X' is drawn over the B, C, D, and E levels. The European Union flag is located in the top right corner.

Datasheet generated from <https://onetimepim.com> last updated Friday, May 29, 2020 3:43:12 PM